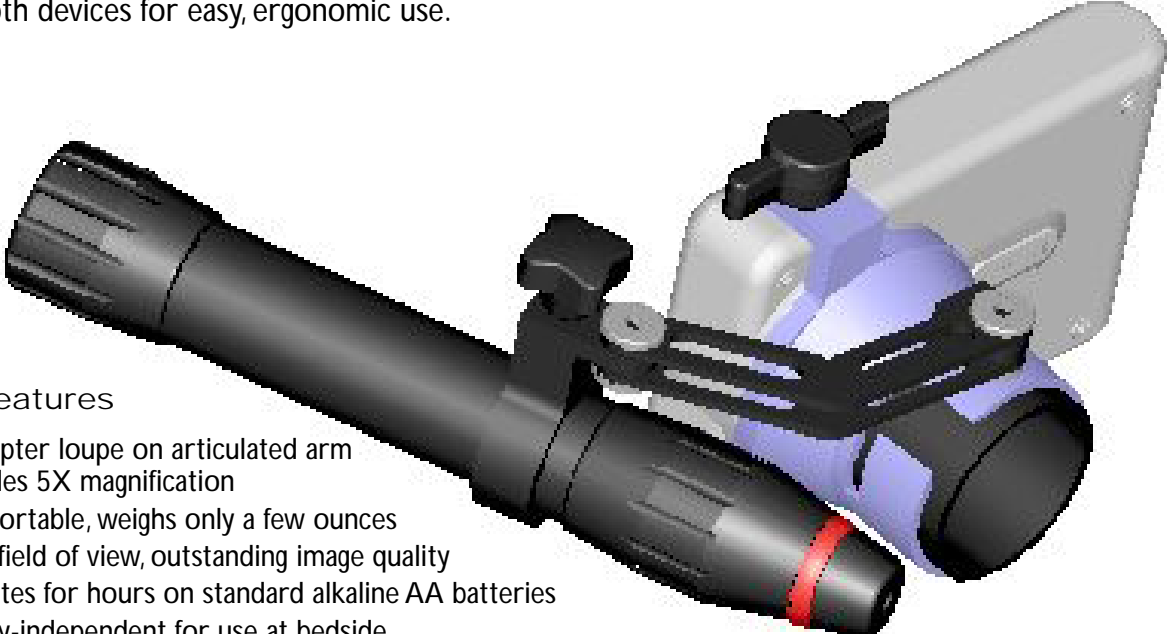


2008

Ultraportable Digital Camera System for Eidolon® Hand Held Slit Lamp Model 510L

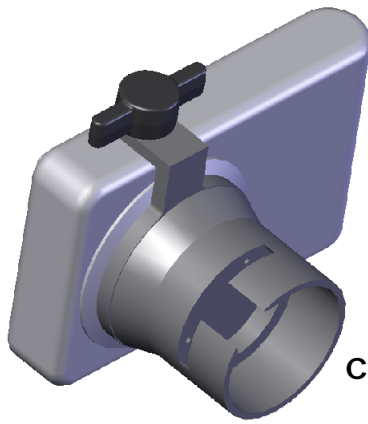
Eidolon Optical, LLC has developed a complete, low-cost digital camera system for anterior segment photography. Our system features three components that together represent the optimum combination of size, cost, weight, and portability for high-resolution digital photography of the eye: the Eidolon Hand Held Slit Lamp Model 510L, the Casio EX-Z77 digital camera, and Eidolon's custom adapter, which links both devices for easy, ergonomic use.



Unbeatable
Combination: \$889.00

510L Features

- 1 20-diopter loupe on articulated arm provides 5X magnification
- 1 Ultraportable, weighs only a few ounces
- 1 Wide field of view, outstanding image quality
- 1 Operates for hours on standard alkaline AA batteries
- 1 Gravity-independent for use at bedside
- 1 Optional cobalt blue filter for examinations with fluorescein
- 1 New ballistic nylon soft pouch case included
- 1 Unconditional 5-year guarantee
- 1 Made in USA



**Casio EX-Z77
Digital Camera**

**Eidolon
Custom Adapter**

Digital Camera System Features

- 1 High resolution; 7.2 megapixels
- 1 2.6" TFT color LCD
- 1 3X optical zoom, additional 4X digital zoom
- 1 Lightweight aluminum construction
- 1 Screen menu-driven camera settings
- 1 Short movies limited only by SD memory size
- 1 Connects to PC through USB 2.0 port
- 1 Downloads photos with the touch of a button
- 1 Uses standard SD card memory
- 1 Adapter rigidly couples Casio EX-Z77 to Eidolon Hand Held Slit Lamp Model 510L

Eidolon Hand Held Slit Lamp: \$495.00
 Casio EX-Z77 Digital Camera: \$199.00
 Eidolon Adapter for Casio EX-Z77: \$195.00

EIDOLON

O P T I C A L, L L C

www.slitlamp.com

3 Erie Drive Natick, MA 01760 USA tel: (508) 651-0015 / fax: (508) 651-0613